

## Conectores Liquid Tigh

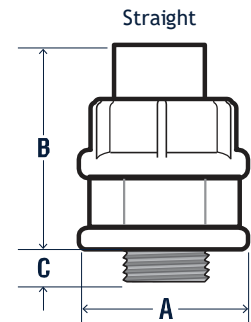
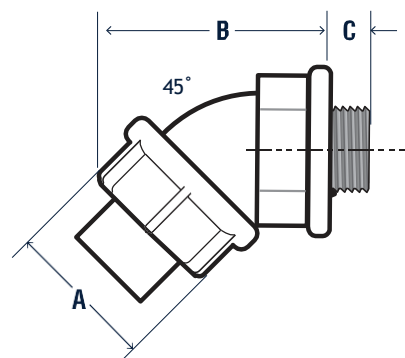
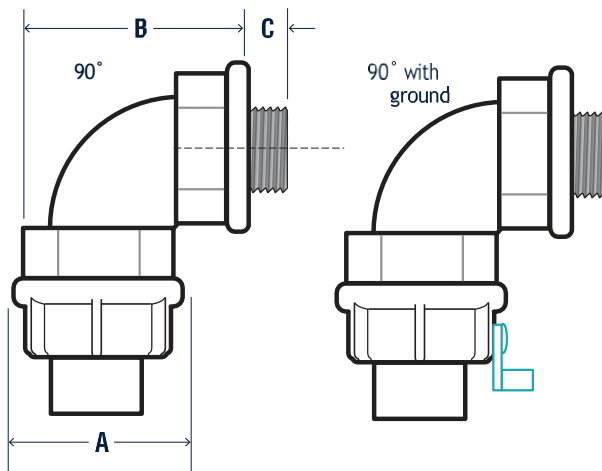
Los conectores liquid tigh de PROCOAT se utilizan con conduit flexibles para el cableado de motores, transformadores, equipos de procesamiento, bombas, etc. La tubería flexibles liquid tigh y el conector recubierto de PVC trabajan juntos para sellar el agua y otros líquidos corrosivos, protegiendo a los conductores de daños.

UL (E509375)

### Especificaciones:

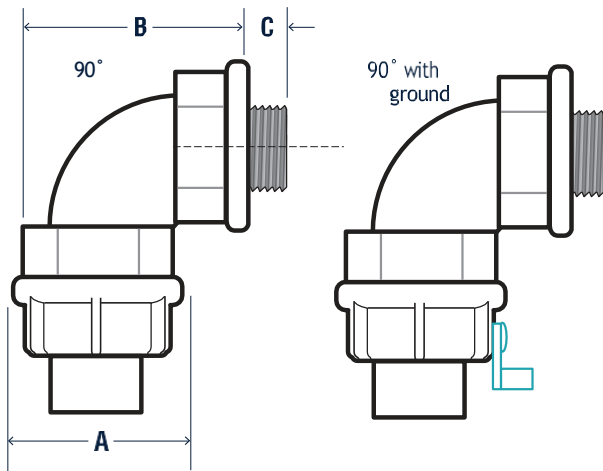
- 40mil.de revestimiento exterior de PVC color gris
- 2mil.de revestimiento interior de uretano gris
- 10 tamaños comerciales de sellado: 3/8" a 4"
- Mangas en todas las aberturas de conducto
- Disponible de cuerpo recto y curvo, 45° o 90°
- Disponible con una conexión a tierra externa

### Configuración



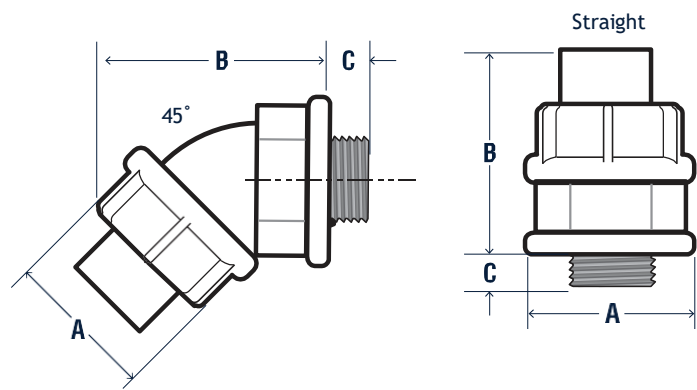
## CONECTOR RECTO

PIPE SIZE	FERROUS CATALOG #	A	B	C	NOMINAL WEIGHT	ALUMINUM CATALOG #
3/8"	LTC0010P	1.24	1.5	0.56	0.2	LTC0010AP
1/2"	LTC0015P	1.46	1.56	0.56	0.2	LTC0015AP
3/4"	LTC0020P	1.74	1.63	0.56	0.3	LTC0020AP
1"	LTC0025P	1.96	2.06	0.75	0.4	LTC0025AP
1-1/4"	LTC0032P	2.36	2.50	0.81	0.8	LTC0032AP
1-1/2"	LTC0040P	2.80	2.69	0.81	0.9	LTC0040AP
2"	LTC0050P	3.33	3.06	0.88	1.7	LTC0050AP
2-1/2"	LTC0065P	3.83	4.13	1.00	3.0	LTC0065AP
3"	LTC0080P	4.58	4.25	1.00	4.2	LTC0080AP
4"	LTC00100P	5.58	4.50	1.13	6.2	LTC00100AP



## CONECTOR RECTO LINEA A TIERRA

PIPE SIZE	FERROUS CATALOG #	A	B	C	GROUND WIRE	NOMINAL WEIGHT	ALUMINUM CATALOG #
3/8"	LTGC0010P	1.24	1.50	0.56	14-8	0.2	LTGC0010AP
1/2"	LTGC0015P	1.46	1.56	0.56	14-8	0.2	LTGC0015AP
3/4"	LTGC0020P	1.74	1.63	0.56	14-4	0.3	LTGC0020AP
1"	LTGC0025P	1.96	2.06	0.75	14-4	0.4	LTGC0025AP
1-1/4"	LTGC0032P	2.33	2.50	0.81	8/1/2000	0.8	LTGC0032AP
1-1/2"	LTGC0040P	3.33	2.69	0.81	4/2/2000	0.9	LTGC0040AP
2"	LTGC0050P	3.89	3.06	0.88	4/2/2000	1.7	LTGC0050AP
2-1/2"	LTGC0065P	4.52	4.13	1.00	2/4/2000	3.0	LTGC0065AP
3"	LTGC0080P	5.27	4.25	1.00	2/4/2000	4.2	LTGC0080AP
4"	LTGC00100P	6.21	4.50	1.13	2/4/2000	6.2	LTGC00100AP



## CONECTOR CURVO 45°

PIPE SIZE	FERROUS CATALOG #	A	B	C	NOMINAL WEIGHT	ALUMINUM CATALOG #
3/8"	LTC4510P	1.24	1.56	0.56	0.3	LTC4510AP
1/2"	LTC4515P	1.46	1.88	0.56	0.3	LTC4515AP
3/4"	LTC4520P	1.74	2.13	0.56	0.4	LTC4520AP
1"	LTC4525P	1.96	2.25	0.75	0.5	LTC4525AP
1-1/4"	LTC4532P	2.36	2.75	0.81	1.5	LTC4532AP
1-1/2"	LTC4540P	2.80	3.38	0.81	1.2	LTC4540AP
2"	LTC4550P	3.33	3.88	0.88	2.0	LTC4550AP
2-1/2"	LTC4565P	3.83	4.25	1.00	3.0	LTC4565AP
3"	LTC4580P	4.58	4.25	1.00	4.2	LTC4580AP
4"	LTC45100P	5.58	4.63	1.13	6.2	LTC45100AP

## CONECTOR CURVO 45° C/ LINEA A TIERRA

PIPE SIZE	FERROUS CATALOG #	A	B	C	GROUND WIRE	NOMINAL WEIGHT	ALUMINUM CATALOG #
3/8"	LTGC4510P	1.24	1.56	0.56	14-8	0.3	LTGC4510AP
1/2"	LTGC4515P	1.46	1.88	0.56	14-8	0.3	LTGC4515AP
3/4"	LTGC4520P	1.74	2.13	0.56	14-4	0.4	LTGC4520AP
1"	LTGC4525P	1.96	2.25	0.75	14-4	0.5	LTGC4525AP
1-1/4"	LTGC4532P	2.33	2.75	0.81	4/2/2000	1.5	LTGC4532AP
1-1/2"	LTGC4540P	3.33	3.38	0.81	4/2/2000	1.2	LTGC4540AP
2"	LTGC4550P	3.89	3.88	0.88	4/2/2000	2.0	LTGC4550AP
2-1/2"	LTGC4565P	4.52	4.25	1.00	2/4/2000	3.0	LTGC4565AP
3"	LTGC4580P	5.27	4.25	1.00	2/4/2000	4.2	LTGC4580AP
4"	LTGC45100P	6.21	4.63	1.13	2/4/2000	6.2	LTGC45100AP

## CONECTOR CURVO 90°

PIPE SIZE	FERROUS CATALOG #	A	B	C	NOMINAL WEIGHT	ALUMINUM CATALOG #
3/8"	LTC9010P	1.24	1.38	0.56	0.3	LTC9010AP
1/2"	LTC9015P	1.46	1.56	0.56	0.3	LTC9015AP
3/4"	LTC9020P	1.74	1.75	0.56	0.4	LTC9020AP
1"	LTC9025P	1.96	2.19	0.75	0.6	LTC9025AP
1-1/4"	LTC9032P	2.36	2.75	0.81	1.0	LTC9032AP
1-1/2"	LTC9040P	2.80	2.94	0.81	1.7	LTC9040AP
2"	LTC9050P	3.33	3.44	0.88	2.7	LTC9050AP
2-1/2"	LTC9065P	3.83	8.88	1.00	3.8	LTC9065AP
3"	LTC9080P	4.58	10.25	1.00	4.2	LTC9080AP
4"	LTC90100P	5.58	12.63	1.13	6.2	LTC90100AP

## CONECTOR CURVO C/ LINEA A TIERRA 90°

PIPE SIZE	FERROUS CATALOG #	A	B	C	GROUND WIRE	NOMINAL WEIGHT	ALUMINUM CATALOG #
3/8"	LTGC9010P	1.24	1.38	0.56	14-8	0.3	LTGC9010AP
1/2"	LTGC9015P	1.46	1.56	0.56	14-8	0.3	LTGC9015AP
3/4"	LTGC9020P	1.74	1.75	0.56	14-4	0.4	LTGC9020AP
1"	LTGC9025P	1.96	2.19	0.75	14-4	0.6	LTGC9025AP
1-1/4"	LTGC9032P	2.33	2.75	0.81	8/1/2000	1.0	LTGC9032AP
1-1/2"	LTGC9040P	3.33	2.94	0.81	4/2/2000	1.7	LTGC9040AP
2"	LTGC9050P	3.89	3.44	0.88	4/2/2000	2.7	LTGC9050AP
2-1/2"	LTGC9065P	4.52	8.88	1.00	2/4/2000	3.8	LTGC9065AP
3"	LTGC9080P	5.27	10.25	1.00	2/4/2000	4.2	LTGC9080AP
4"	LTGC90100P	6.21	12.63	1.13	2/4/2000	6.2	LTGC90100AP