



## Conduit Bodies and Covers for General Service Locations

### Description:

PROCOAT conduit bodies with covers are offered in Form 8 and Form 7 styles, each with numerous configurations to provide a complete coated conduit system. May be used to make 90° bends, for pull outlets, to provide for taps or splices, to act as a mounting outlet for wiring devices or lighting fixtures, etc. Form 8 style fittings 1/2" – 4" have an integral V-Seal gasket for superior corrosion protection. Electrical continuity of the conduit system is maintained across assembled joints.

### Features:

- 40 mil gray PVC exterior coating
- 2 mil gray urethane interior coating
- 10 trade sizes from 1/2" through 4"
- Sealing sleeves on all conduit openings
- Form 7 style cover uses retained stainless screw and wedge clip design
- Form 8 style cover uses plastic encapsulated stainless steel screws with retainers built into covers for trade sizes 1/2" through 2"
- Integral V-Seal gasket on Form 8 style, sizes 1/2" through 4"

### Standards:

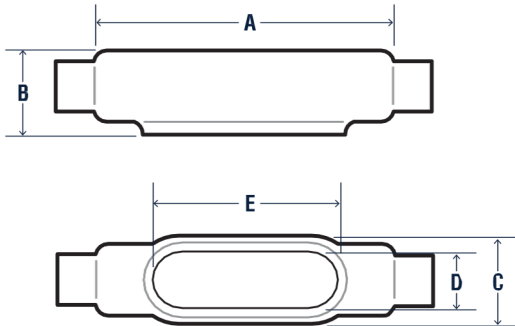
Steel and Aluminum

- UL 514A, 514D (E501987)
- CSA C22.2 No. 18, CSA C22.2 No. 42 form 8 & Mark 9 fittings – 1/2" – 4"
- IEC IP69
- UL Type 4x

Note: Form 7 fittings are not available with encapsulated screws.

All cover screws are stainless steel.

## CAJA CONDULET TIPO C



### C FORM 7

PIPE SIZE	CATALOG	#NOMINAL WEIGHT	A	B	C	D	E
1/2"	C17P	1.0	5.38	1.42	1.46	0.94	3.19
3/4"	C27P	1.4	6.00	1.67	1.64	1.13	3.81
1"	C37P	2.2	7.00	1.92	1.83	1.38	4.50
1-1/4"	C47P	2.7	7.44	2.35	2.27	1.75	5.00
1-1/2"	C57P	4.0	8.19	2.60	2.52	1.94	5.44
2"	C67P	5.5	9.19	3.17	3.08	2.44	6.38
2-1/2"	C77P	10.0	12.00	3.67	4.33	3.56	8.38
3"	C87P	11.8	11.75	4.42	4.33	3.56	8.38

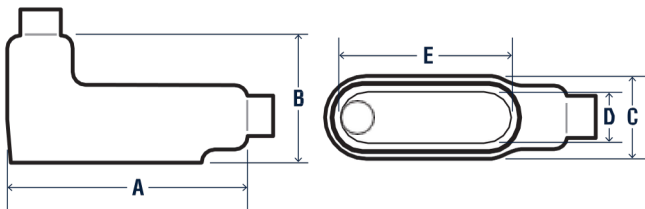
### C FORM 8

PIPE SIZE	FERROUS CATALOG	NOMINAL # WEIGHT	A	B	C	D	E
1/2"	C18P	2.0	5.69	1.48	1.46	1.00	3.31
3/4"	C28P	2.3	6.28	1.73	1.27	1.19	3.94
1"	C38P	2.8	7.31	1.98	1.83	1.38	4.56
1-1/4"	C48P	4.5	8.50	2.42	2.27	1.75	5.31
1-1/2"	C58P	6.5	10.38	2.82	2.83	2.13	6.50
2"	C68P	10.3	12.25	3.60	3.83	3.00	8.56
2-1/2"	C78P	18.0	15.63	4.48	5.08	4.25	10.88
3"	C88P	20.5	15.63	4.85	5.08	4.25	10.88

### C MARK 9

PIPE SIZE	ALUMINIUM CATALOG	NOMINAL # WEIGHT	A	B	C	D	E
1/2"	C19AP	2.0	5.00	1.42	1.46	1.19	3.31
3/4"	C29AP	2.3	5.69	1.67	1.64	1.38	3.94
1"	C39AP	2.8	6.59	1.92	1.83	1.50	4.56
1-1/4"	C49AP	4.5	7.50	2.54	2.27	1.94	5.31
1-1/2"	C59AP	6.5	8.25	2.79	2.58	2.25	6.00
2"	C69AP	10.3	10.50	3.48	3.27	2.88	8.06
2-1/2"	C79AP	18.0	15.63	4.48	5.08	4.25	10.88
3"	C89AP	20.5	15.63	4.85	5.08	4.25	10.88
3-1/2"	C99AP	10.0	18.75	5.73	6.33	5.44	13.44
4"	C109AP	12.0	18.75	5.98	6.33	5.44	13.44

## CAJA CONDULET TIPO LB



### LB FORM 7

PIPE SIZE	CATALOG #	NOMINAL WEIGHT	A	B	C	D	E
1/2"	LB17P	1.1	4.6	2.25	1.46	0.94	3.19
3/4"	LB27P	1.7	5.24	2.50	1.64	1.13	3.81
1"	LB37P	2.2	6.04	2.88	1.83	1.38	4.50
1-1/4"	LB47P	3.1	6.54	3.31	2.27	1.75	5.00
1-1/2"	LB57P	3.8	7.17	3.69	2.52	1.94	5.44
2"	LB67P	5.2	8.17	4.25	3.08	2.44	6.38
2-1/2"	LB77P	10.0	10.54	5.13	4.33	3.56	8.38
3"	LB87P	13.0	10.54	5.88	4.33	3.56	8.38
3-1/2"	LB97P	19.0	12.73	6.56	5.33	4.50	10.25
4"	LB107P	18.5	12.73	7.06	5.33	4.50	10.25

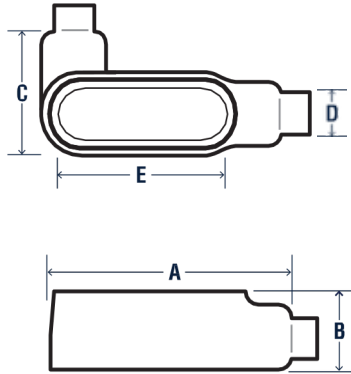
### LB FORM 8

PIPE SIZE	FERROUS CATALOG	NOMINAL # WEIGHT	A	B	C	D	E
1/2"	LB18P	1.5	4.98	2.22	1.46	1.00	3.31
3/4"	LB28P	2.0	5.60	2.44	1.64	1.19	3.94
1"	LB38P	2.9	6.51	2.81	1.83	1.38	4.56
1-1/4"	LB48P	4.1	7.57	3.34	2.27	1.75	5.31
1-1/2"	LB58P	6.5	9.17	4.03	2.83	2.13	6.50
2"	LB68P	8.2	11.04	4.81	3.83	3.00	8.56
2-1/2"	LB78P	18.2	13.98	6.13	5.08	4.25	10.88
3"	LB88P	21.2	13.98	6.50	5.08	4.25	10.88
3-1/2"	LB98P	31.2	16.92	7.56	6.33	5.44	13.44
4"	LB108P	32.0	16.92	7.81	6.33	5.44	13.44

### LB MARK 9

PIPE SIZE	ALUMINIUM CATALOG	NOMINAL # WEIGHT	A	B	C	D	E
1/2"	LB19AP	1.5	4.63	2.13	1.46	1.19	3.31
3/4"	LB29AP	2.0	5.29	2.41	1.64	1.38	3.94
1-1/4"	LB39AP	2.9	6.13	2.84	1.83	1.50	4.56
1-1/2"	LB49AP	4.1	7.07	3.47	2.27	1.94	5.31
2"	LB59AP	6.5	7.79	3.75	2.27	2.25	6.00
2-1/2"	LB69AP	8.2	10.07	4.47	2.58	2.88	8.06
3"	LB79AP	18.2	13.98	6.13	5.08	4.25	10.88
3-1/2"	LB89AP	21.2	13.98	6.50	5.08	4.25	10.88
4"	LB99AP	31.2	16.92	7.56	6.33	5.44	13.44
	LB109AP	32.0	16.92	7.81	6.33	5.44	13.44

## CAJA CONDULET TIPO LL



### LL FORM 7

PIPE SIZE	CATALOG#	NOMINAL WEIGHT	A	B	C	D	E
1/2"	LL17P	1.2	4.6	1.42	2.29	0.94	3.19
3/4"	LL27P	1.6	5.23	1.67	2.48	1.13	3.81
1"	LL37P	2.1	6.04	1.92	2.79	1.38	4.50
1-1/4"	LL47P	3.0	6.54	2.35	3.23	1.75	5.00
1-1/2"	LL57P	4.1	7.17	2.60	3.60	1.94	5.44
2"	LL67P	5.7	8.17	3.17	4.17	2.44	6.38
2-1/2"	LL77P	10.0	10.54	3.67	5.79	3.56	8.38
3"	LL87P	12.7	10.54	4.42	5.79	3.56	8.38
3-1/2"	LL97P	19.0	12.73	4.92	6.98	4.50	10.25
4"	LL107P	19.0	12.73	5.42	6.98	4.50	10.25

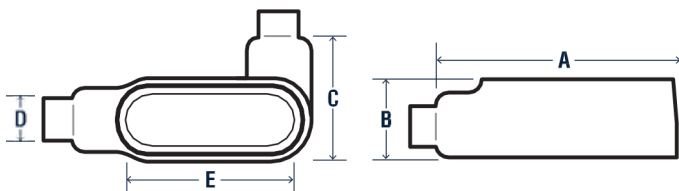
### LL FORM 8

PIPE SIZE	FERROUS CATALOG#	NOMINAL WEIGHT	A	B	C	D	E
1/2"	LL18P	1.4	4.98	1.48	2.20	1.00	3.31
3/4"	LL28P	2.1	5.60	1.73	2.35	1.19	3.94
1"	LL38P	2.6	6.51	1.98	2.67	1.38	4.56
1-1/4"	LL48P	4.2	7.61	2.42	3.20	1.75	5.31
1-1/2"	LL58P	6.2	9.17	2.82	4.04	2.13	6.50
2"	LL68P	10.5	11.04	3.60	5.04	3.00	8.56
2-1/2"	LL78P	19.0	13.98	4.48	6.73	4.25	10.88
3"	LL88P	21.5	13.98	4.85	6.73	4.25	10.88

### LL MARK 9

PIPE SIZE	ALUMINIUM CATALOG #	NOMINAL WEIGHT	A	B	C	D	E
1/2"	LL19AP	1.4	4.63	1.42	2.17	1.19	3.31
3/4"	LL29AP	2.1	5.29	1.67	2.42	1.38	3.94
1"	LL39AP	2.6	6.13	1.92	2.67	1.50	4.56
1-1/4"	LL49AP	4.2	7.07	2.54	3.13	1.94	5.31
1-1/2"	LL59AP	6.2	7.79	2.79	3.48	2.25	6.00
2"	LL69AP	10.5	10.07	3.48	4.17	2.88	8.06
2-1/2"	LL79AP	19.0	13.98	4.48	6.73	4.25	10.88
3"	LL89AP	21.5	13.98	4.85	6.73	4.25	10.88
3-1/2"	LL99AP	21.5	16.92	5.73	8.17	5.44	13.44
4"	LL109AP	24.5	16.92	5.98	8.17	5.44	13.44

## CAJA CONDULET TIPO LR



### LR FORM 7

PIPE SIZE	CATALOG #	NOMINAL WEIGHT	A	B	C	D	E
1/2"	LR17P	1.2	4.60	1.42	2.29	0.94	3.19
3/4"	LR27P	1.6	5.23	1.67	2.48	1.13	3.81
1"	LR37P	2.1	6.04	1.92	2.79	1.38	4.50
1-1/4"	LR47P	3.0	6.54	2.35	3.23	1.75	5.00
1-1/2"	LR57P	4.1	7.17	2.60	3.60	1.94	5.44
2"	LR67P	5.7	8.17	3.17	4.17	2.44	6.38
2-1/2"	LR77P	10.0	10.54	3.67	5.79	3.56	8.38
3"	LR87P	12.7	10.54	4.42	5.79	3.56	8.38
3-1/2"	LR97P	19.0	12.73	4.92	6.98	4.50	10.25
4"	LR107P	19.0	12.73	5.42	6.98	4.50	10.25

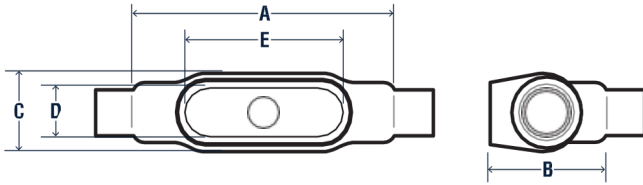
### LR FORM 8

PIPE SIZE	FERROUS CATALOG #	NOMINAL WEIGHT	A	B	C	D	E
1/2"	LR18P	1.4	4.98	1.48	2.20	1.00	3.31
3/4"	LR28P	2.1	5.60	1.73	2.35	1.19	3.94
1"	LR38P	2.6	6.51	1.98	2.67	1.38	4.56
1-1/4"	LR48P	4.5	7.61	2.42	3.20	1.75	5.31
1-1/2"	LR58P	6.2	9.17	2.82	4.04	2.13	6.50
2"	LR68P	10.7	11.04	3.60	5.04	3.00	8.56
2-1/2"	LR78P	17.7	13.98	4.48	6.73	4.25	10.88
3"	LR88P	18.0	13.98	4.85	6.73	4.25	10.88

### LR MARK 9

PIPE SIZE	ALUMINIUM CATALOG #	NOMINAL WEIGHT	A	B	C	D	E
1/2"	LL19AP	1.4	4.63	1.42	2.17	1.19	3.31
3/4"	LL29AP	2.1	5.29	1.67	2.42	1.38	3.94
1"	LL39AP	2.6	6.13	1.92	2.67	1.50	4.56
1-1/4"	LL49AP	4.5	7.07	2.54	3.13	1.94	5.31
1-1/2"	LL59AP	6.2	7.79	2.79	3.48	2.25	6.00
2"	LL69AP	10.7	10.07	3.48	4.17	2.88	8.06
2-1/2"	LL79AP	17.7	13.98	4.48	6.73	4.25	10.88
3"	LL89AP	18.0	13.98	4.85	6.73	4.25	10.88
3-1/2"	LL99AP	21.0	16.92	5.73	8.17	5.44	13.44
4"	LL109AP	24.0	16.92	5.98	8.17	5.44	13.44

## CAJA CONDULET TIPO T



### TB FORM 7

PIPE SIZE	CATALOG #	NOMINAL WEIGHT	A	B	C	D	E
1/2"	TB17P	1.6	5.63	2.63	1.64	0.94	3.19
3/4"	TB27P	2.1	6.25	2.88	1.83	1.13	3.81
1"	TB37P	2.7	7.25	3.25	2.08	1.38	4.50
1-1/4"	TB47P	3.7	7.44	3.31	2.27	1.75	5.00
1-1/2"	TB57P	4.7	8.19	5.00	2.52	1.94	5.44
2"	TB67P	7.0	9.19	6.13	3.08	2.44	6.38

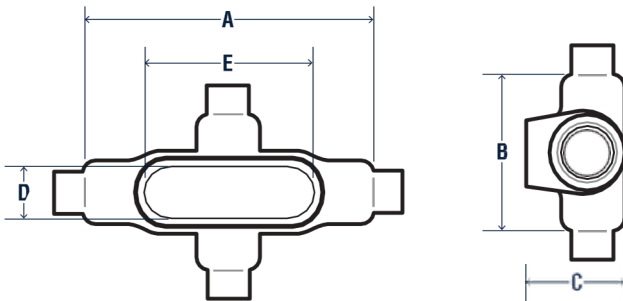
### TB FORM 8

PIPE SIZE	FERROUS NOMINAL CATALOG #	WEIGHT	A	B	C	D	E
1/2"	TB18P	2.0	5.69	2.53	1.46	1.00	3.31
3/4"	TB28P	2.3	6.28	2.75	1.64	1.19	3.94
1"	TB38P	3.1	7.31	3.13	1.83	1.38	4.56
1-1/4"	TB48P	5.2	8.50	3.34	2.27	1.75	5.31
1-1/2"	TB58P	7.0	10.38	4.03	2.83	2.13	6.50
2"	TB68P	11.0	12.25	4.81	3.83	3.00	8.56

### TB MARK 9

PIPE SIZE	ALUMINIUM NOMINAL CATALOG #	WEIGHT	A	B	C	D	E
1/2"	TB19AP	2.0	5.00	2.13	1.46	1.19	3.31
3/4"	TB29AP	2.3	5.69	2.41	1.64	1.38	3.94
1"	TB39AP	3.1	6.59	2.84	1.83	1.50	4.56
1-1/4"	TB49AP	5.2	7.50	3.47	2.27	1.94	5.31
1-1/2"	TB59AP	7.0	8.34	3.88	2.58	2.16	5.88
2"	TB69AP	11.0	10.63	4.59	3.30	2.81	8.09

## CAJA CONDULET TIPO X



### x FORM 7

PIPE SIZE	CATALOG #	NOMINAL WEIGHT	A	B	C	D	E
1/2"	X17P	1.7	5.63	3.31	1.79	0.94	3.19
3/4"	X27P	2.4	6.25	3.50	2.04	1.13	3.81
1"	X37P	2.7	7.25	4.00	2.29	1.38	4.50
1-1/4"	X47P	3.6	7.44	4.13	2.35	1.75	5.00
1-1/2"	X57P	5.0	8.19	4.63	2.60	1.94	5.44
2"	X67P	7.5	9.19	5.19	3.17	2.44	6.38

### x FORM 8

PIPE SIZE	FERROUS NOMINAL CATALOG #	WEIGHT	A	B	C	D	E
1/2"	X18P	2.0	5.69	2.91	1.79	1.00	3.31
3/4"	X28P	2.6	6.28	3.06	2.04	1.19	3.94
1"	X38P	3.1	7.31	3.50	2.29	1.38	4.56
1-1/4"	X48P	5.2	8.50	4.13	2.67	1.75	5.31
1-1/2"	X58P	7.5	10.38	5.25	2.51	2.13	6.50
2"	X68P	11.7	12.25	6.25	3.60	3.00	8.56

### x MARK 9

PIPE SIZE	ALUMINIUM NOMINAL CATALOG #	WEIGHT	A	B	C	D	E
1/2"	X19AP	2.0	5.69	2.91	1.79	1.00	3.31
3/4"	X29AP	2.6	6.28	3.06	2.04	1.19	3.94
1"	X39AP	3.1	7.31	3.50	2.29	1.38	4.56