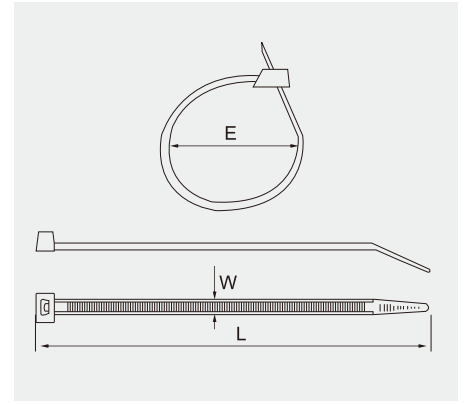


Nylon Cable Tie

**Material:** Nylon 66,94V-2 certificated by UL . Fire resisting Acid & erosion control, insulate well nd not apt to age.

**Operating temperature:** -35°C to 85°C .

**Color:** Natural(or white, standard color), UV black and other colors are available upon requested.



H

ITEM NO.	L		W (mm)	Bundle Diameter(mm)	TENSILE STRENGTH	
	Inch	mm			LBS	KGS
2.5 × 60	2.4 "	60	2.5	2-11	18	8
2.5 × 80	3.2 "	80		2-16		
2.5 × 100	4.0 "	100		2-22		
2.5 × 120	4.7 "	120		2-30		
2.5 × 150	6.0 "	150		2-35		
2.5 × 160	6.3 "	160		2-40		
2.5 × 200	8.0 "	200		3-50		
3.5 × 150	6.0 "	150	3.5	3-35	40	18
3.5 × 180	7.1 "	180		3-42		
3.5 × 200	8.0 "	200		3-50		
3.5 × 250	10 "	250		3-65		
3.5 × 280	11 "	280		3-70		
3.5 × 300	12 "	300		3-80		
3.5 × 370	14.6 "	370		3-105		
4.8 × 120	4.7 "	120	4.8	3-30	50	22
4.8 × 160	6.3 "	160		3-40		
4.8 × 180	7.1 "	180		3-42		
4.8 × 200	8.0 "	200		3-50		
4.8 × 250	10 "	250		3-60		
4.8 × 280	11 "	280		3-70		
4.8 × 300	12 "	300		3-80		
4.8 × 350	14 "	350		3-90		
4.8 × 370	14.6 "	370		3-98		
4.8 × 400	16 "	400		3-105		
4.8 × 430	16.9 "	430		3-120		
4.8 × 450	17.7 "	450		3-130		
4.8 × 500	19.7 "	500		3-150		
7.2 × 150	6.0 "	150	7.2	3-35	120	55
7.2 × 200	8.0 "	200		3-50		
7.2 × 250	10 "	250		4-65		
7.2 × 300	12 "	300		4-80		

ITEM NO.	L		W (mm)	Bundle Diameter(mm)	TENSILE STRENGTH	
	Inch	mm			LBS	KGS
7.6 × 350	14 "	350	7.6	4-90	120	55
7.6 × 400	16 "	400		4-105		
7.6 × 450	18 "	450		4-110		
7.6 × 500	20 "	500		4-150		
7.6 × 530	20.9 "	530		4-160		
7.6 × 550	21.6 "	550		4-165		
9.0 × 400	16 "	400		9.0		
9.0 × 450	18 "	450	8-118			
9.0 × 500	20 "	500	8-150			
9.0 × 550	21.6 "	550	8-160			
9.0 × 600	23.6 "	600	8-170			
9.0 × 650	25.6 "	650	8-185			
9.0 × 720	28.3 "	720	10-195			
9.0 × 760	28.3 "	760	10-210			
9.0 × 800	31.5 "	800	10-230			
9.0 × 900	35.5 "	900	10-265			
9.0 × 1020	29.4 "	1020	10-300			
9.0 × 1200	47.2 "	1200	10-370			
12 × 650	26.5 "	650	12		14-185	250
12 × 900	25.5 "	900		14-265		