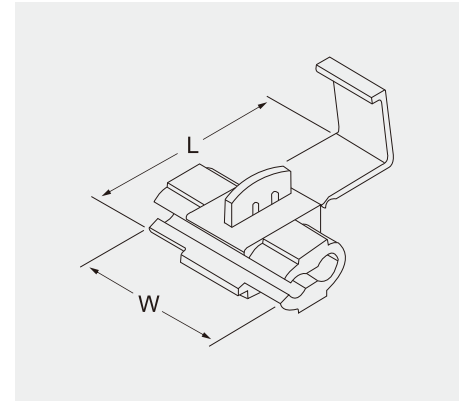


**Quick Splice Connectors**



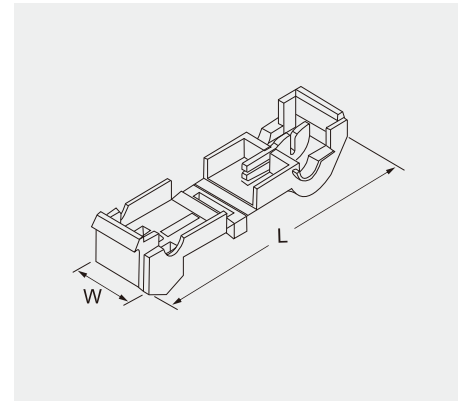
- Maximum electrical rating: 105°C, 600V
- Insulation: P.P.
- Terminal Body: Brass
- Plating: Tin



ITEM NO .	WIRE RANGE AWG/mm <sup>2</sup>	DIMENSION mm		PCS/ PACK	COLOR	EXPLANATION
		W	L			
878100	22~18AWG 0.5~0.75mm <sup>2</sup>	.787 20	1.063 27	50	● Red	Material : PP
878101	18~14AWG 0.75~2.5mm <sup>2</sup>	.787 20	1.063 27	50	● Blue	Material : PP
878101-WHITE		.787 20	1.063 27	50	○ whith	Material : PP
878201	12~10AWG 4~6mm <sup>2</sup>	.807 20.5	1.358 34.5	50	● Yellow	Material : PP

E

**Quick Splice Connectors**



- Maximum Electrical Rating: 105°C 600 Volts
- Insulation Material: Nylon
- Terminal Material: Copper



ITEM NO .	WIRE RANGE AWG/mm <sup>2</sup>	SUGGESTED MATE WITH MALE TAB (THICKNESS X WIDTH)	DIMENSION mm		PCS/ PACK	COLOR	EXPLANATION
			W	L			
878006	22~18AWG 0.5~0.75mm <sup>2</sup>	MDFNY1-250 (.032 X . 250)	0.386 9.8	1.457 37	50	● Red	
878106	18~14AWG 0.75~2.5mm <sup>2</sup>	MDFNY2-250 (.032 X . 250)	0.386 9.8	1.457 37	50	● Blue	
878206	12~10AWG 4mm <sup>2</sup>	MDFNY5-250 (.032 X . 250)	0.386 9.8	1.457 37	50	● Yellow	