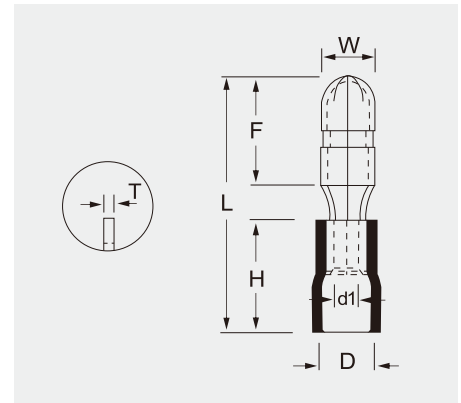


Vinyl-Insulated Bullet-Male Quick Disconnects

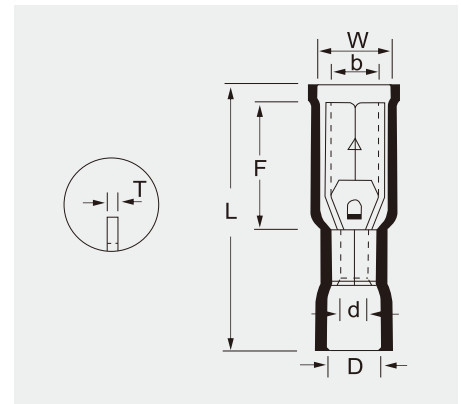
- Maximum electrical rating: 75°C, 300V
- Insulation: Vinyl
- Terminal Body: Brass
- Plating: Tin



ITEM NO .	DIMENSION mm							PCS/ PACK	COLOR	EXPLANATION
	W	F	L	H	d1	D	T			
MPD1.25-156	4.0	9.0	21.0	10.0	1.7	3.8	0.4	100	● Red	Wire range : 0.5-1.5mm ² A. W. G : (22-16) Max.current=10A
MPD2-156	4.0	9.0	21.0	10.0	2.3	4.3	0.4	100	● Blue	Wire range : 1.5-2.5mm ² A. W. G : (16-14) Max.current=15A
MPD2-195	5.0	9.0	21.0							
MPD5.5-195	5.0	9.0	24.0	13.0	3.4	5.6	0.4	100	● Yellow	Wire range : 4-6mm ² A. W. G : (12-10) Max.current=24A

Vinyl-Insulated Bullet-Female Quick Disconnects

- Maximum electrical rating: 75°C, 300V
- Insulation: Vinyl
- Terminal Body: Brass
- Plating: Tin



ITEM NO .	DIMENSION mm							PCS/ PACK	COLOR	EXPLANATION
	W	F	L	d1	D	T				
FRD1.25-156	3.9	13.0	23.3	1.7	3.8	0.4	100	● Red	Wire range : 0.5-1.5mm ² A. W. G : (22-16) Max.current=10A	
FRD2-156	3.9	14.0	23.3	2.3	4.3	0.4	100	● Blue	Wire range : 1.5-2.5mm ² A. W. G : (16-14) Max.current=15A	
FRD2-195	4.9	14.0	23.3	2.3	4.3	0.4				
FRD5.5-195	4.9	14.0	25.0	3.4	5.6	0.40	100	● Yellow	Wire range : 4-6mm ² A. W. G : (12-10) Max.current=24A	