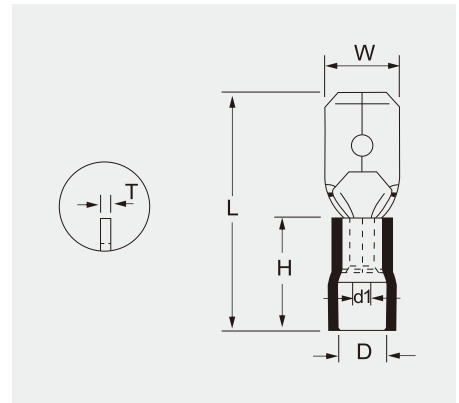


**Vinyl-Insulated Male Quick Disconnects**

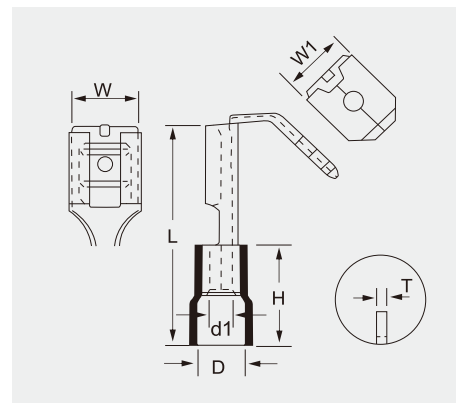
- Maximum electrical rating: 75°C, 300V
- Insulation: Vinyl
- Terminal Body: Brass
- Plating: Tin



ITEM NO .	Nema Tab	DIMENSION mm						PCS/ PACK	COLOR	EXPLANATION
		W	L	H	d1	D	T			
MDD1.25-110(5)	0.5×2.8	2.8	19.0	10.0	1.7	3.7	0.5	100	Red	Wire range : 0.5-1.5mm <sup>2</sup> A. W. G : ( 22-16 ) Max.current=10A
MDD1.25-110(8)	0.8×2.8									
MDD1.25-187(5)	0.5×4.75									
MDD1.25-187(8)	0.8×4.75									
MDD1.25-250	0.8×6.35									
MDD2-110(5)	0.5×4.75	2.8	19.0							
MDD2-187(5)	0.5×4.75									
MDD2-187(8)	0.8×4.75									
MDD2-250	0.8×6.35									
MDD5.5-250	0.8×6.35	6.35	25.0	13.0	3.4	5.6	0.4	100	Yellow	Wire range : 4-6mm <sup>2</sup> A. W. G : ( 12-10 ) Max.current=24A

**Vinyl-Insulated Piggy Back Quick Disconnects**

- Maximum electrical rating: 75°C, 300V
- Insulation: Vinyl
- Terminal Body: Brass
- Plating: Tin



ITEM NO .	Nema Tab	DIMENSION mm							PCS/ PACK	COLOR	EXPLANATION
		W	W1	L	H	d1	D	T			
PBDD1.25-250	0.8×6.35	7.5	6.3	21.5	10.0	1.7	3.8	0.4	100	Red	Wire range : 0.5-1.5mm <sup>2</sup> A. W. G : ( 22-16 ) Max.current=10A
PBDD2-250	0.8×6.35	7.5	6.3	21.5	10.0	2.3	4.3	0.4	100	Blue	Wire range : 1.5-2.5mm <sup>2</sup> A. W. G : ( 16-14 ) Max.current=15A
PBDD5.5-250	0.8×6.35	7.5	6.3	24.0	13.0	3.4	5.6	0.4	100	Yellow	Wire range : 4-6mm <sup>2</sup> A. W. G : ( 12-10 ) Max.current=24A