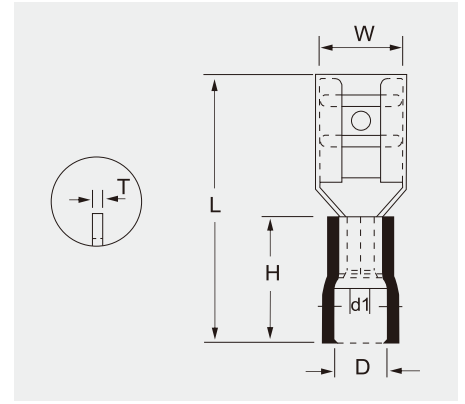


Vinyl-Insulated Female Quick Disconnects

- Maximum electrical rating: 75°C, 300V
- Insulation: Vinyl
- Terminal Body: Brass
- Plating: Tin



D

ITEM NO .	Nema Tab	DIMENSION mm						PCS/ PACK	COLOR	EXPLANATION
		W	L	H	d1	D	T			
FDD1.25-110(5)	0.5×2.8	3.8	19.0	10.0	1.7	3.7	0.3	100	● Red	Wire range : 0.5-1.5mm <sup>2</sup> A. W. G : ( 22-16 ) Max.current=10A
FDD1.25-110(8)	0.8×2.8						0.35			
FDD1.25-187(5)	0.5×4.75	5.8	19.0				0.35			
FDD1.25-187(8)	0.8×4.75						0.4			
FDD1.25-205(5)	0.5×5.2	6.5	19.0				0.4			
FDD1.25-250	0.8×6.35	7.5	21.0				0.4			
FDD1.25-312	0.8×8.0	9.1	24.0	0.4						
FDD2-110(5)	0.5×2.8	3.8	19.0	10.0	2.3	4.3	0.35	100	● Blue	Wire range : 1.5-2.5mm <sup>2</sup> A. W. G : ( 16-14 ) Max.current=15A
FDD2-110(8)	0.8×2.8						0.35			
FDD2-187(5)	0.5×4.75	5.8	19.0				0.35			
FDD2-187(8)	0.8×4.75						0.4			
FDD2-205(5)	0.5×5.2	6.5	19.0				0.4			
FDD2-250	0.8×6.35	7.5	21.0				0.4			
FDD2-312	0.8×8.0	9.1	24.0	0.4						
FDD5.5-250	0.8×6.35	7.5	24.0	13.0	3.4	5.6	0.4	100	● Yellow	Wire range : 4-6mm <sup>2</sup> A. W. G : ( 12-10 ) Max.current=24A
FDD5.5-375	1.2×9.4	10.9	28.6				0.5			