

# SHADED POLE MOTOR FAN

## 92mm

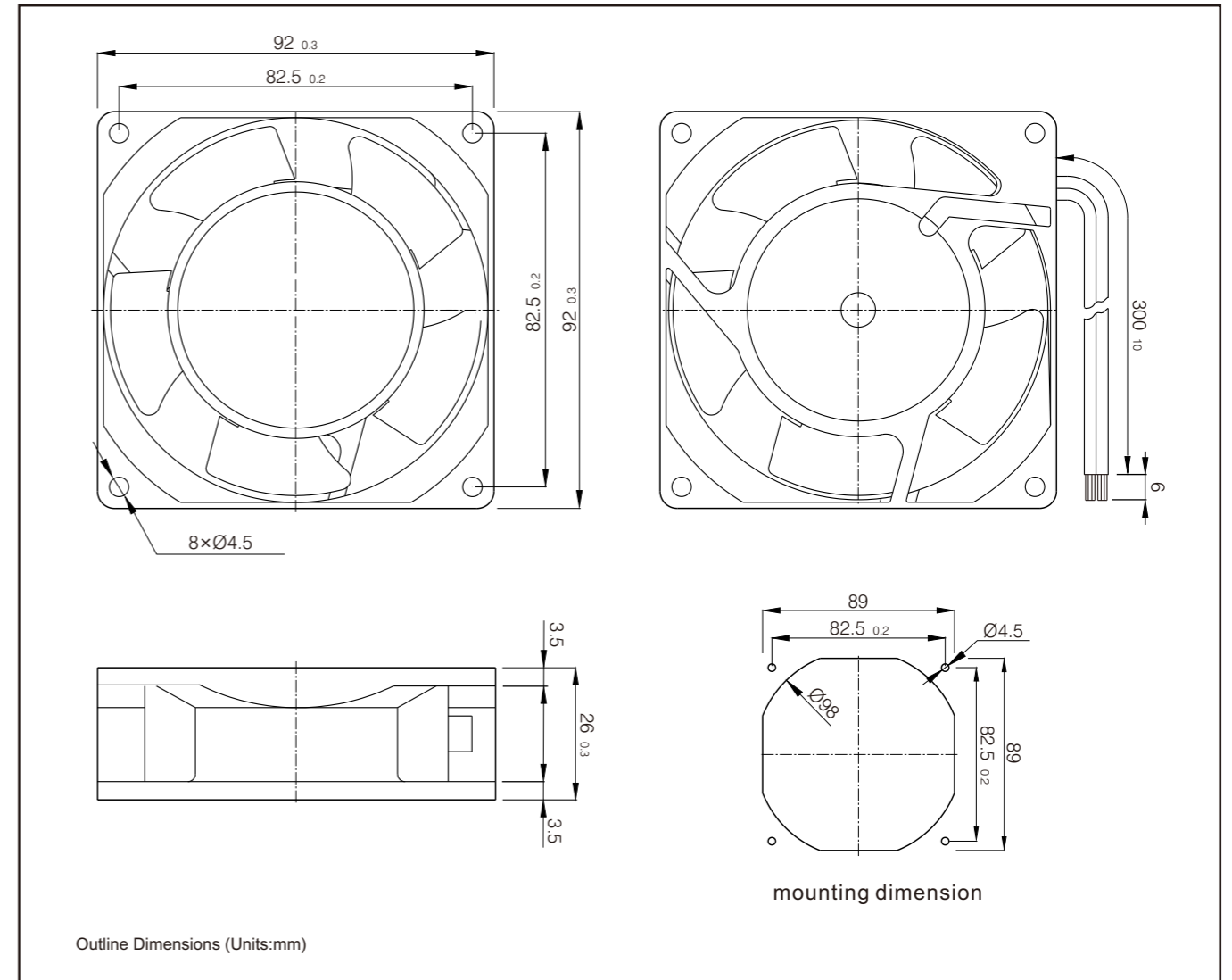


① Connection mode  
FJ9022AB

- ① **Frame**  
Aluminium alloy die-casting, surfaces is finished by black anti-corrosion treatment.
- ② **Impeller**  
Black plastic PBT UL94V-0
- ③ **Operation Temperature/Humidity Range:**  
(under unconcretionary state)  
-40°C ~ +65°C (temperature), 0% ~ 95% (himidity)
- ④ **Protection**  
Impedance Protected
- ⑤ **Withstand Voltage**  
AC 1,500V , 1 min at 0.5mA, 50/60 Hz
- ⑥ **Insulation System**  
Design according to IEC61858 Grade B,
- ⑦ **Protection Grade** IP34

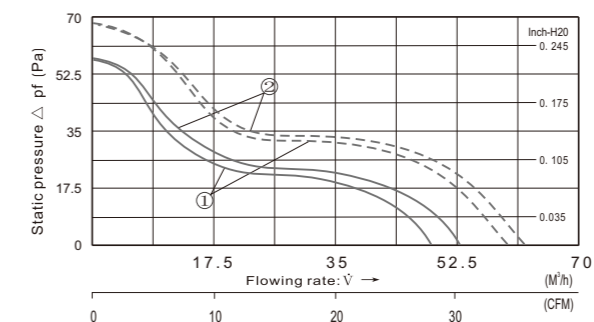
- ① PBT UL94V-0.
- ② /
- ③ -40 ~ +65 0%~ 95%
- ④ :
- ⑤ AC 1500V 0.5mA 50/60Hz 1
- ⑥ IEC61858 B
- ⑦ IP 34

# FJ9022AB



- Ⓐ Rotation direction of blades : CCW seen from the front impellers
- Ⓑ Power Connection: UL3385-22 Lead wire
- Ⓒ Unit weight: 260g

- Ⓐ UL3385-22
- Ⓑ 260g
- Ⓒ



### Parameters

Type	Motor	Rated Voltage V	Frequency Hz	current (A)	Power (W) <sup>+10%</sup> <sub>-20%</sub>	Speed (min-1)	Max Air Flow		Static Pressure (Pa)	Noise (dB)	Curve	Capacitor (μF)
							CFM	m3/h				
FJ9021AS	M2S5151-SB	115	50	0.13	12	2250	29	49	57	32	①	----
			60	0.12	11	2750	36	61	65	34		
FJ9021AB	M2S5151-BB	115	50	0.13	12	2350	30	51	57	32	②	----
			60	0.12	11	2850	37	63	65	34		
FJ9022AS	M2E5151-SB	230	50	0.06	12	2250	29	49	57	32	①	----
			60	0.07	11	2750	36	61	65	34		
FJ9022AB	M2E5151-BB	230	50	0.06	12	2350	29	51	57	32	②	----
			60	0.07	11	2850	27	63	65	34		