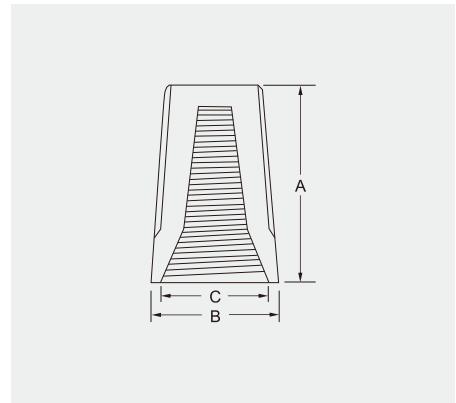


Screw On Wire Connectors

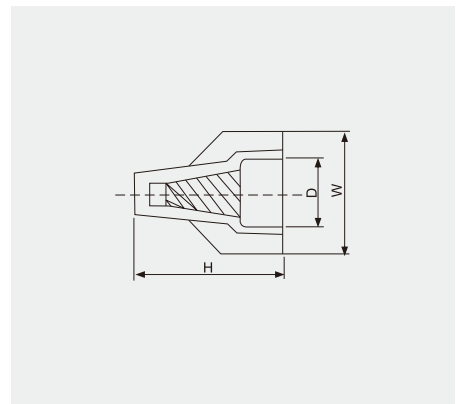
- Voltage:300V, 600V
- Temperature:105°C
- Material:PVC plastic rubber material
- International Certification: UL, CSA Security Certification
- Function: Suitable for electrical products, light utensilism, which needs high temperature testing(105), with high insulation performance.



ITEM NO .	A mm	B mm	C mm	SUITABLE WIRES A.W.G	COLOR	PACK/BAG
P1	15.2	8.6	6.7	22-14	● Grey	100
P2	17.6	9.8	7.4	22-14	● Blue	
P3	22.0	12	9.9	22-14	● Orange	100
P4	24.5	14	11	22-10	● Yellow	
P6	26.5	16.4	13	22-8	● Red	

Double Wings Screw On Wire Connectors

- **Material:** UL nylon66, with spring inside.
- **Usage:** peel wire coat, insert the wire in, then tighten.



ITEM NO .	HEIGHT(MM)	WIDTH(MM)	D(MM)	SUITABLE WIRE	COLOR
P11	25.4	18	9.5	0.5-2.5mm ² (AWG22-14)	Yellow
P12	27.7	17.8	10	0.5-4mm ² (AWG22-12)	Taupe
P13	30.5	23.1	12	1.0-6mm ² (AWG18-10)	Red
P15	32.6	25.5	14.6	1.0-10mm ² (AWG18-8)	Grey
P17	39.5	31.7	17.8	2.5-16mm ² (AWG14-6)	Blue