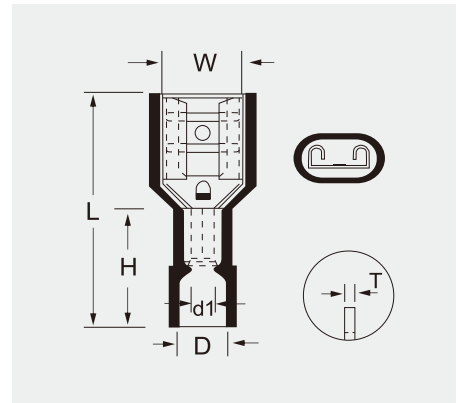


**Nylon-Fully Insulated Female Quick Disconnects**

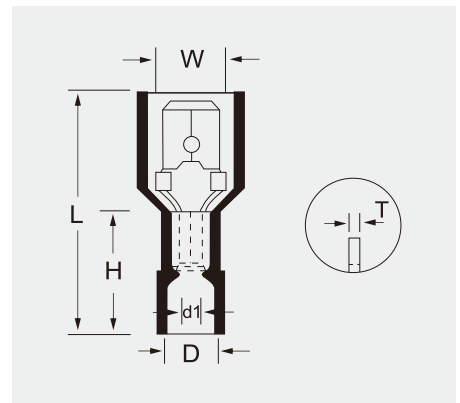
- Maximum electrical rating: 105°C, 300V
- Insulation: Nylon
- Terminal Body: Brass
- Plating: Tin



ITEM NO .	Nema Tab	DIMENSION mm						PCS/ PACK	COLOR	EXPLANATION
		W	L	H	d1	D	T			
FDFN1.25-187(5)	0.5×4.75	5.8	20.2	11.0	1.7	4.0	0.35	100	● Red	Wire range : 0.5-1.5mm <sup>2</sup> A. W. G : ( 22-16 ) Max.current=10A
FDFN1.25-187(8)	0.8×4.75									
FDFN1.25-250	0.8×6.35									
FDFN2-187(5)	0.5×4.75	5.8	20.2	11.0	2.3	4.5	0.35	100	● Blue	Wire range : 1.5-2.5mm <sup>2</sup> A. W. G : ( 16-14 ) Max.current=15A
FDFN2-187(8)	0.8×4.75									
FDFN2-250	0.8×6.35									
FDFN5.5-250	0.8×6.35	7.5	24.0	13.0	3.4	6.3	0.4	100	● Yellow	Wire range : 4-6mm <sup>2</sup> A. W. G : ( 12-10 ) Max.current=24A

**Nylon-Fully Insulated Male Quick Disconnects**

- Maximum electrical rating: 105°C, 300V
- Insulation: Nylon
- Terminal Body: Brass
- Plating: Tin



ITEM NO .	Nema Tab	DIMENSION mm						PCS/ PACK	COLOR	EXPLANATION
		W	L	H	d1	D	T			
MDFN1.25-250	0.8×6.35	6.35	24.0	11.0	1.7	4.0	0.8	100	● Red	Wire range : 0.5-1.5mm <sup>2</sup> A. W. G : ( 22-16 ) Max.current=10A
MDFN2-250	0.8×6.35	6.35	24.0	11.0	2.3	4.5	0.8	100	● Blue	Wire range : 1.5-2.5mm <sup>2</sup> A. W. G : ( 16-14 ) Max.current=15A
MDFN5.5-250	0.8×6.35	6.35	25.0	13.0	3.4	6.3	0.4	100	● Yellow	Wire range : 4-6mm <sup>2</sup> A. W. G : ( 12-10 ) Max.current=24A