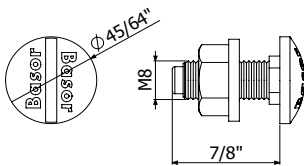
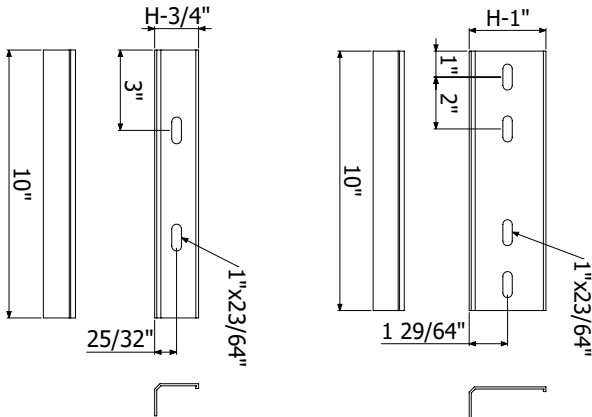


# Specification Sheet

## Basorplast JUBPE + B2-P

**3E Basor**  
CABLE TRAY SPECIALIST



UNE-EN 61537  
UNE-EN 50085



UNE-23727  
UNE-EN 61537  
UNE-EN 50085



UNE-EN 60695



MOD 60x100 10J  
UNE-EN 61537  
UNE-EN 50085



UNE-EN 61537  
UNE-EN 50085



ISO/TR 10358  
DIN 8061



ISO/TR 10358  
DIN 8061

**RoHS**  
OK

- \* Union joints for PVC tray
- \* Screws and nuts for union joints
- \* 3/4"- 1" high
- \* 10" union joint large
- \* For Perforated/Non perforated model
- \* PVC M1 UV material
- \* Ultra-violet resistant plastic
- \* Insulating



Model union joint	H		Weight LBS/EA	PVC M1 UV REF. PVC
	inch	mm		
JUBPE H3/4"	3/4"	60	0.11	2/10084
JUBPE H1"	1"	100	0.20	2/10085

2 JUBPE 60 (2/10084) + 4/100 B2-P (2/10017)  
2 JUBPE 100 (2/10085) + 8/100 B2-P (2/10017)

Model screw and nut	Weight LBS/EA	PVC M1 UV REF. PVC

